

# SECO-LARM®

## Magnetic Door Holders

### Manual



DH-151SQ



DH-171SQ

DH-151SQ	Surface-mount
DH-171SQ	Flush-mount

#### Features:

- For use with door closers to control the release and closing of residential, commercial, and public area doors
- Adjustable armature (DH-100A-01SQ, included) reduces installation time and adjusts to door alignment changes
- Surface- or flush-mount models available
- Fail-safe operation
- Low profile design
- Holding force – 33-lb (15kg)
- 3 voltages: 12/24 VAC/VDC, and 120VAC
- Cast aluminum faceplate
- No residual magnetism for easy release
- Built-in voltage spike suppressor
- Optional extension bars available: 3/4", 1", 4", 7" (19mm, 25mm, 102mm, 178mm)
- Use with SECO-LARM door closers SD-C121-S, SD-C131-SQ, SD-C101-SGQ, or SD-C101-SBAQ

# SECO-LARM Magnetic Door Holders

## Introduction:

The SECO-LARM Magnetic Door Holders are designed for virtually any remote door release applications. The UL Listed SECO-LARM Magnetic Door Holders, used in conjunction with UL Listed SECO-LARM door closers, control the release and closing of residential, commercial, and public area doors including apartments, schools, hotels, hospitals, and offices. Fail-safe operation, tri-volt coils, and adjustable armature plate allows for easy and flexible installation. SECO-LARM Magnetic Door Holders also come in surface-mount or flush-mount models with full mounting hardware included.

## Specifications:

Model		DH-151SQ	DH-171SQ
Installation		Surface-mount	Flush-mount
Operating voltage		12 VAC/VDC, 24 VAC/VDC, 120VAC	
Current draw		52mA@12VAC, 60mA@12VDC	
		27mA@24VAC, 31mA@24VDC	
		24mA@120VAC	
Holding force		33-lb (15kg)	
Dimensions	Magnet box	2 <sup>3</sup> / <sub>4</sub> "x4 <sup>9</sup> / <sub>16</sub> "x3" (70x116.5x76 mm)	2 <sup>3</sup> / <sub>4</sub> "x4 <sup>9</sup> / <sub>16</sub> "x2 <sup>1</sup> / <sub>16</sub> " (70x116.5x52 mm)
	Armature	2 <sup>9</sup> / <sub>16</sub> "x2 <sup>9</sup> / <sub>16</sub> "x 1 <sup>9</sup> / <sub>16</sub> " (65x65x40 mm)	
Weight	Magnet box	1-lb 6.6-oz (641g)	1-lb 1.6-oz (498g)
	Armature	8.4-oz (237g)	

## Parts List:

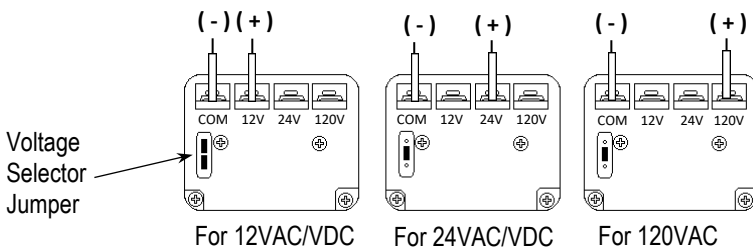
1x Door holder	1x Armature	1x Manual
2x Jumpers (1x pre-installed)	2x M5x15 Machine screws	2x #10x1 <sup>1</sup> / <sub>4</sub> " Wood screws
4x M4x8 Machine screws	2x M3x10 Machine screws	1x Back box*
1x 1" Extension bar	1x Extension bar wrench	

\* DH-151SQ only

## Available Accessories: Extension Bars

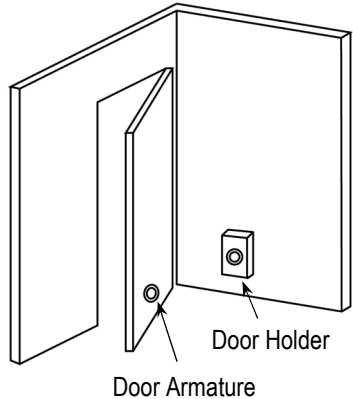
DH-100E-07SQ 3/4" (19mm)	DH-100E-40SQ 4" (102mm)
DH-100E-10SQ 1" (25mm)	DH-100E-70SQ 7" (178mm)

## Wiring Diagram:



## Installation:

1. Determine mounting location of both the Magnetic Door Holder and the Armature Plate. Run the power wires to that location in compliance with any local codes.
2. Select the voltage (two jumpers for 12VAC/VDC, or a single jumper for 24VAC/VDC or 120VAC) for the Door Holder (See "Voltage Settings:" below) and adjust the jumpers.
3. For the **DH-151SQ (Surface-Mount Magnetic Door Holder)**:
  - a. Mount the back box to the location where your wires are run and connect the wires according to the wiring diagram on pg. 2.\*
  - b. Finish screwing down the unit to the back box and test the unit.
4. For the **DH-171SQ (Flush-Mount Magnetic Door Holder)**:
  - a. Connect the wires according to the wiring diagram on pg. 2.\*
  - b. Finish screwing down the unit to the single-gang box and test the unit.
5. Mount the Armature to the door and make sure it lines up with the door holder (extensions available if needed, see pg. 2).
6. Double check all connections and mountings to make sure the installation is complete.

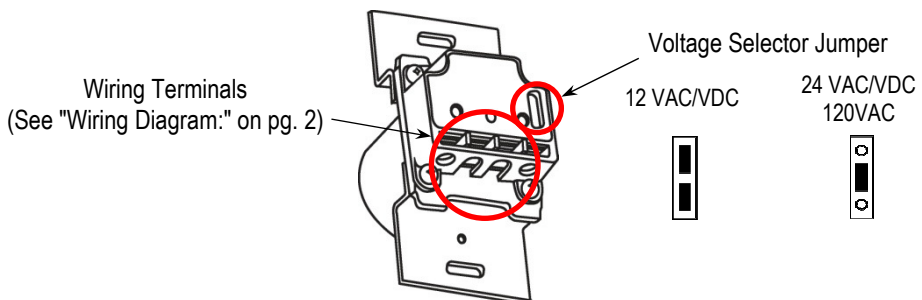


**\*IMPORTANT:** The wiring connections must match the voltage jumper settings and the supplied voltage.

## Voltage Settings:

Set the voltage using the jumpers as in the diagram.

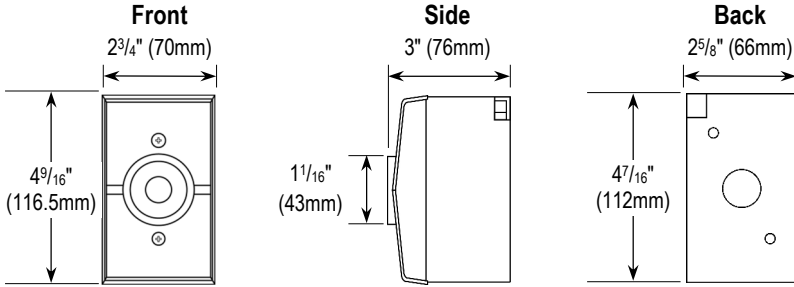
**NOTE:** Factory default is 120VAC. To avoid personal injury or damage to the product, ensure that the jumper setting matches the wiring connections (See "Wiring Diagram:" on pg. 2) and the supplied voltage. Improper settings/wiring will void the warranty and SECO-LARM will not be responsible for any resulting injury.



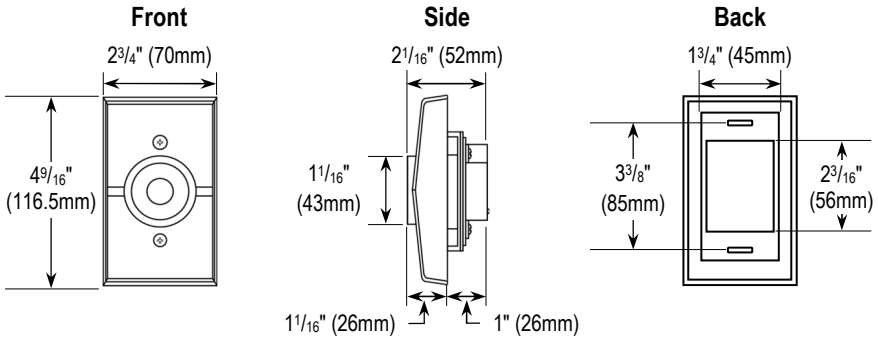
# SECO-LARM Magnetic Door Holders

## Dimensions:

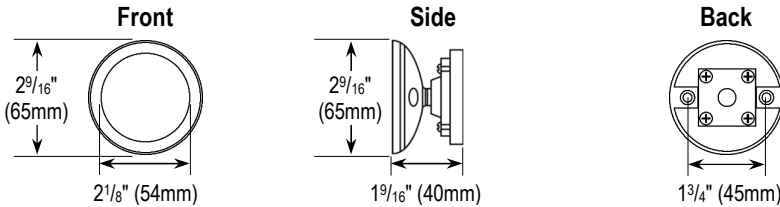
### DH-151SQ:



### DH-171SQ:



## Armature:



**California Proposition 65 Warning:** These products may contain chemicals which are known to the State of California to cause cancer and birth defects or other reproductive harm. For more information, go to [www.P65Warnings.ca.gov](http://www.P65Warnings.ca.gov).

**LIMITED WARRANTY:** This SECO-LARM product is warranted against defects in material and workmanship while used in normal service for two (2) years from the date of sale to the original customer. SECO-LARM's obligation is limited to the repair or replacement of any defective part if the unit is returned, transportation prepaid, to SECO-LARM. This Warranty is void if damage is caused by or attributed to acts of God, physical or electrical misuse or abuse, neglect, repair or alteration, improper or abnormal usage, or faulty installation, or if for any other reason SECO-LARM determines that such equipment is not operating properly as a result of causes other than defects in material and workmanship. The sole obligation of SECO-LARM and the purchaser's exclusive remedy, shall be limited to the replacement or repair only, at SECO-LARM's option. In no event shall SECO-LARM be liable for any special, collateral, incidental, or consequential personal or property damage of any kind to the purchaser or anyone else.

**NOTICE:** The SECO-LARM policy is one of continual development and improvement. For that reason, SECO-LARM reserves the right to change specifications without notice. SECO-LARM is also not responsible for misprints. All trademarks are the property of SECO-LARM U.S.A., Inc. or their respective owners. Copyright © 2021 SECO-LARM U.S.A., Inc. All rights reserved.

## SECO-LARM® U.S.A., Inc.

16842 Millikan Avenue, Irvine, CA, 92606  
Phone: (949) 261-2999 | (800) 662-0800

Website: [www.seco-larm.com](http://www.seco-larm.com)  
Email: [sales@seco-larm.com](mailto:sales@seco-larm.com)



ML\_DH-1x1SQ\_210909.docx