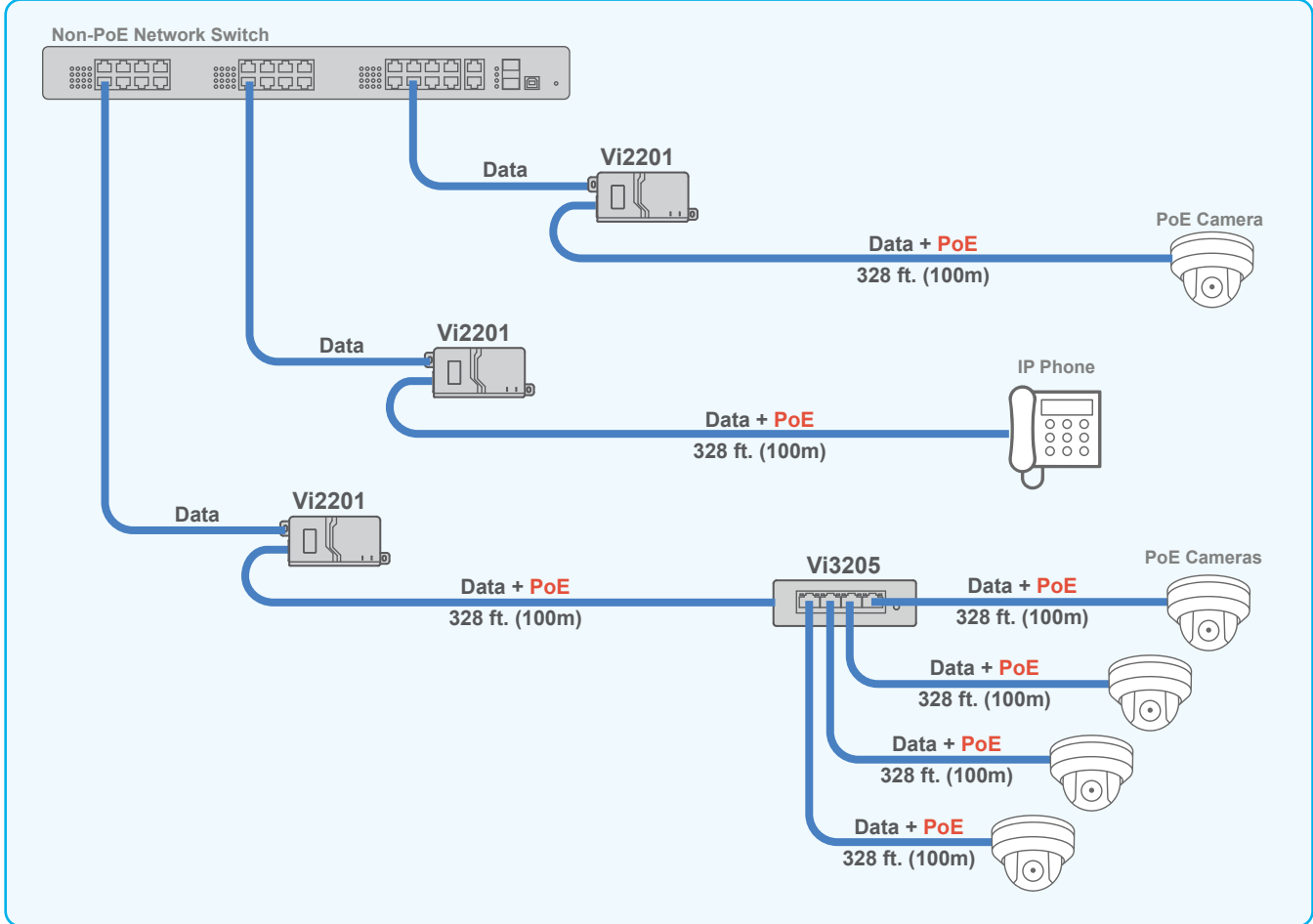


— Cat 5/6

Data and transmission over Coax and standard and extended distance UTP



The Vi2201 provides PoE compliant to IEEE 802.3at up to 30W for powering different PoE powered devices.