

Vi2201

Single Port IEEE 802.3at, 30W PoE Midspan

Features

- Cost effective single port IEEE 802.3at compliant 30W PoE power supply for 10/100/1000Base-T networks
- Built-in 30W power supply
- Delivers up to 30W for high power applications
- Complies with IEEE 802.3 safety standards for automatic detection and over-current protection
- Provides high data rate and power for Megapixel IP camera applications
- Tested to RFC 2544 packet transmission standards
- Compact design



Applications

- Local PoE source for IP cameras
- Cost effective solution for applications using non-PoE network switch
- Powering all types of PoE powered IP equipment

Vigitron's MaxiiPower™ Vi2201 is a high power single port Midspan compliant to IEEE 802.3af/at. It is a cost effective solution for powering a wide range of IP cameras that offers all standard PoE safety features including detection, connection/disconnection and fault protection. With a transmission bandwidth of up to 1Gbps, its application has virtually no bandwidth limitations and interfaces with the highest megapixel cameras.

The Vi2201 includes a built-in power supply and does not require an external power supply. The Vi2201 is compact in size, easy to install and ideal for using in environmental enclosures or other space restricted applications.

The Vi2201 complies with all network transmission standards and is an ideal solution for powering any PoE device that requires high power PoE.

Technical Specification

Electrical

Ethernet Interface	Standard 10/100/1000-BaseT
UTP	Category 5 (or higher)
PoE Output	30W @ 53V DC
Input Power	100-240VAC, 50/60Hz
Status LEDs	Power PoE Active
PoE Power Pins	4&5 (+), 7&8 (-)
Connectors	Data: Shielded RJ-45 Data & PoE: Shielded RJ-45 Main Power: IEC 320 C5
Management	Auto PoE Detection

Regulatory

FCC	Part 15, Subpart B, Class B 2010
Safety	UL, CE
Environmental	RoHS, WEEE

Environmental

Humidity	0 to 95%, non-condensin
Temperature	Operating: 0°C to +40°C Storage: -10°C to +70°C

Mechanical

Dimensions	4.53 x 2.45 x 1.32 in., 115 x 62 x 34 mm (LxWxH)
Weight	0.42 lb (190g)
Material	ABS plastic, UL rating of 94V-0

Accessories

Molded IEC 7 ft. (200cm) Power Cord (included)

*Specifications subject to change without notice.

Ordering Information

Part No. Description

Vi2201	Single Port IEEE 802.3at, 30W PoE Midspan
---------------	---

Related Products

Part No. Description

Vi22401	Single port 60W PoE Midspan
----------------	-----------------------------

Vi22101	Single port 90W PoE Midspan
----------------	-----------------------------

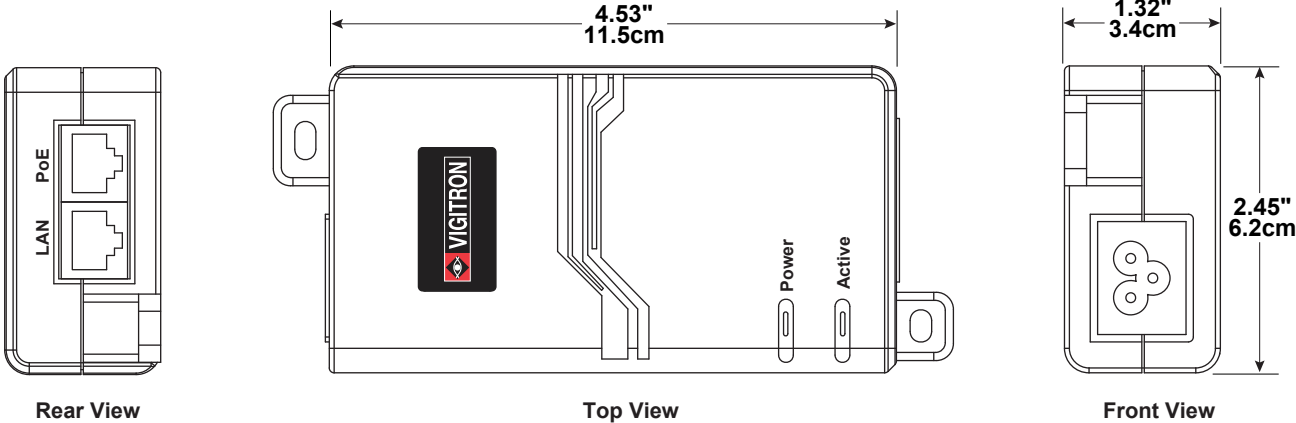


TEL (+1) 858 - 484 - 5209 • FAX (+1) 858 - 484 - 1205

7810 Trade Street, Suite 100, San Diego, CA 92121, USA • support@vigatron.com • www.vigatron.com

© Copyright 2022 Vigatron, Inc.

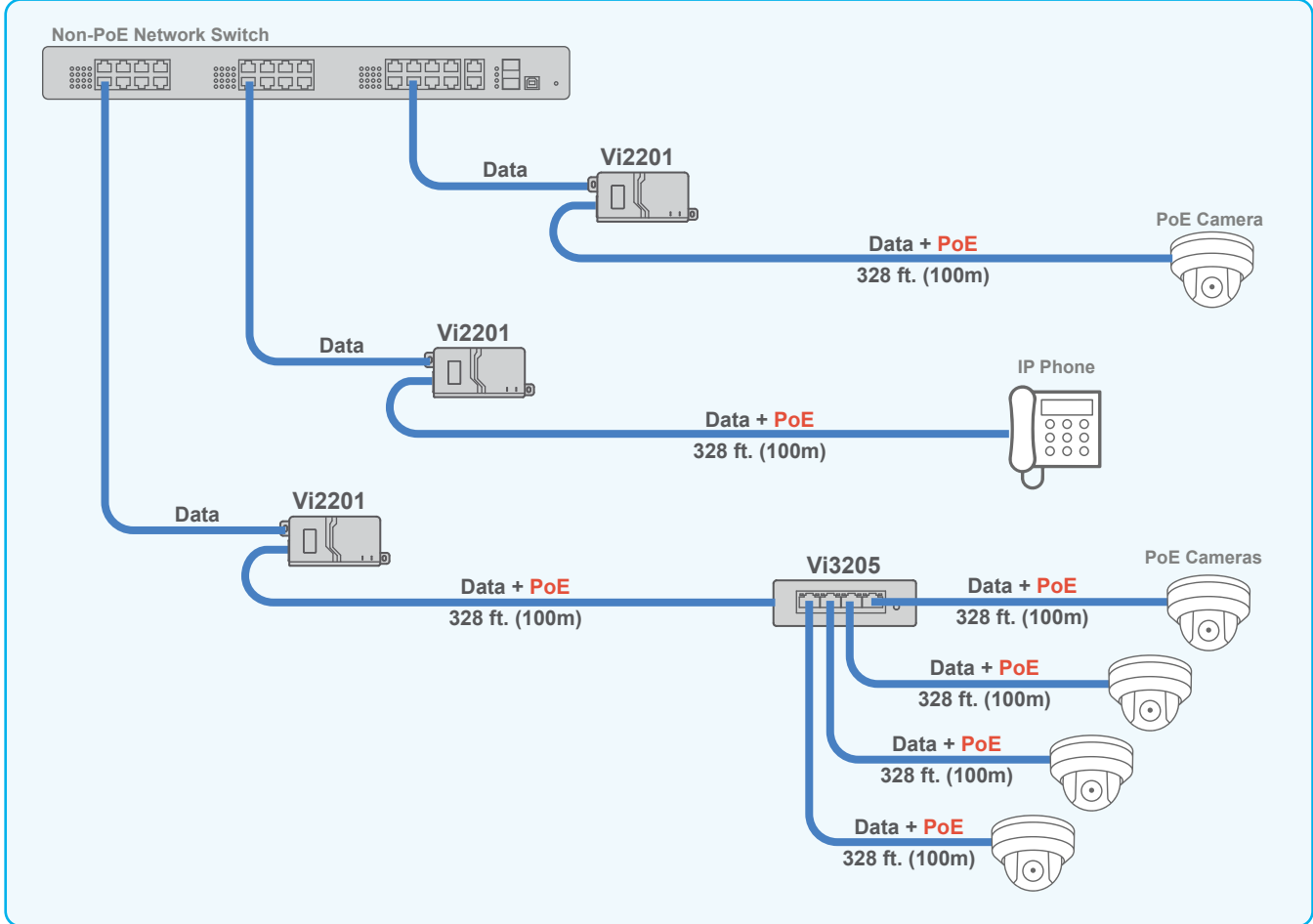
Mechanical Drawings



Application Drawings

— Cat 5/6

Data and transmission over Coax and standard and extended distance UTP



The Vi2201 provides PoE compliant to IEEE 802.3at up to 30W for powering different PoE powered devices.