

Wiegand Proximity Readers

PR-2121-PQ Mini Wiegand Reader

PR-2123-PQ Mullion Wiegand Reader

PR-2125-PQ Standard Wiegand Reader

Features:

- 9~24 VDC Operation
- Low current draw – 50mA max.
- Built-in buzzer for external alarm input
- Multicolor status LED
- EM 125 kHz
- 10 User cards included
- Extreme cold tolerance to -40° F (-40° C)
- Wiegand output reader – EM 26 bits
- Outdoor rated – IP66
- Epoxy-filled ABS plastic housing



PR-2121-PQ

PR-2123-PQ

PR-2125-PQ

Additional Accessories:

PR-K1K1-AQ

PR-K1S1-A



Proximity key fobs (sold in packs of 10)



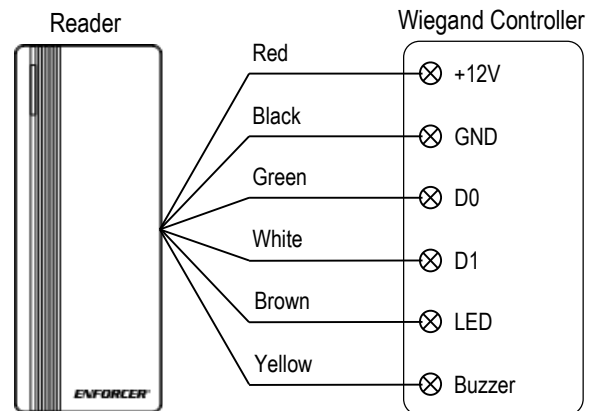
Proximity cards (sold in packs of 10)



Specifications:

Model	PR-2121-PQ	PR-2123-PQ	PR-2125-PQ
Operating voltage	9~24 VDC		
Current draw	Standby	20mA@12VDC	
	Active	50mA@12VDC (max.)	
Wiegand output	EM – 26 bits		
Card type	125kHz EM		
Card read range	0~2" (0~5 cm)		
IP Rating	IP66		
Enclosure material	ABS Plastic		
Operating temperature	-40°~140° F (-40°~60° C)		
Dimensions	1 7/16" x 2 3/4" x 1 1/16" (37x70x17 mm)	1 7/8" x 4 3/4" x 1 3/16" (48x120x20 mm)	2 15/16" x 4 3/4" x 1 3/16" (75x120x20 mm)
Weight	1.7-oz (48g)	3.7-oz (105g)	5.5-oz (155g)

Wiring Diagram:



SECO-LARM® U.S.A., Inc.

16842 Millikan Avenue, Irvine, CA 92606

Phone: (949) 261-2999 | (800) 662-0800 Fax: (949) 261-7326

Website: www.seco-larm.com Email: sales@seco-larm.com



Copyright © 2020 SECO-LARM U.S.A., Inc. All rights reserved.

All trademarks are the property of SECO-LARM U.S.A., Inc. or their respective owners. The SECO-LARM policy is one of continual development. For that reason, SECO-LARM reserves the right to change prices and specifications without notice. SECO-LARM is not responsible for misprints.

SECO-LARM® ENFORCER® CRIMEBUSTER® CBA® SLI®

PL_PR-212x-PQ_200207.docx